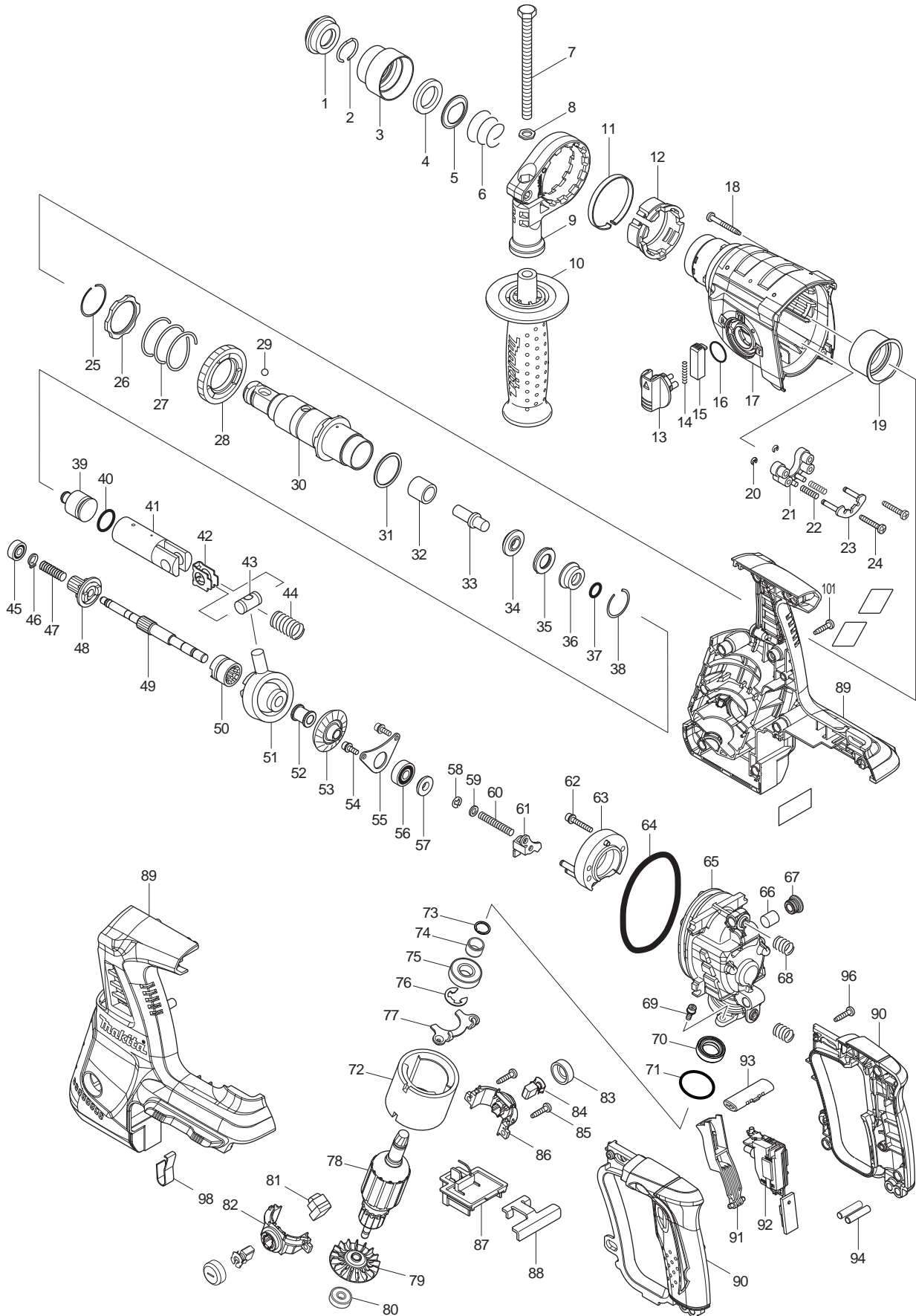




05 - 2010

BHR261

36V 3-MODE HAMMER DRILL KIT



| Item No | Type | Ref | Part No | Description | Qty | Unit |
|---------|------|------|----------|------------------------------------|-----|------|
| 1 | | | 286263-4 | CAP 35 | 1 | PC. |
| 2 | | | 233940-9 | RING SPRING 19 | 1 | PC. |
| 3 | | | 417629-9 | CHUCK COVER | 1 | PC. |
| 4 | | | 257241-1 | RING 21 | 1 | PC. |
| 5 | | | 345187-4 | GUIDE WASHER | 1 | PC. |
| 6 | | | 233916-6 | CONICAL COMP. SPRING 21-29 | 1 | PC. |
| 7 | | | 921923-8 | HEX. BOLT M8X120 | 1 | PC. |
| 8 | | | 345280-4 | HEX. WASHER | 1 | PC. |
| 9 | | | 417630-4 | GRIP BASE | 1 | PC. |
| 10 | | | 158057-6 | GRIP 36 COMPLETE | 1 | PC. |
| 13 | | | 450980-4 | CHANGE LEVER | 1 | PC. |
| 14 | | | 233279-0 | COMPRESSION SPRING 4 | 1 | PC. |
| 15 | | | 450978-1 | LOCK BUTTON | 1 | PC. |
| 16 | | | 213278-8 | O RING 17 | 1 | PC. |
| 17 | | | 140059-6 | GEAR HOUSING COMPLETE | 1 | PC. |
| | 1 | INC. | 213965-9 | OIL SEAL 25 (TYPE 1) | 1 | PC. |
| | 2 | INC. | 213345-9 | OIL SEAL 25 (TYPE 2) | 1 | PC. |
| 18 | | | 266351-3 | TAPPING SCREW 4X35 | 4 | PC. |
| 19 | | | 153290-5 | NEEDLE BEARING COMPLETE | 1 | PC. |
| 20 | | | 961017-7 | STOP RING E-3 | 2 | PC. |
| 21 | | | 417796-0 | GUIDE BASE | 1 | PC. |
| 22 | | | 233344-5 | COMPRESSION SPRING 4 | 2 | PC. |
| 23 | | | 163430-7 | LOCK PLATE COMPLETE | 1 | PC. |
| 24 | | | 266374-1 | TAPPING SCREW 4X25 | 2 | PC. |
| 25 | | | 233929-7 | RING SPRING 29 | 1 | PC. |
| 26 | 2 | | 267460-1 | WASHER 31 | 1 | PC. |
| 27 | | | 233401-9 | COMPRESSION SPRING 32 | 1 | PC. |
| 28 | | | 227109-5 | SPUR GEAR 51 | 1 | PC. |
| 29 | | | 216022-2 | STEEL BALL 7.0 | 1 | PC. |
| 30 | | | 158574-6 | TOOL HOLDER COMPLETE | 1 | PC. |
| 31 | | | 267229-3 | FLAT WASHER 28 | 1 | PC. |
| 32 | | | 331769-8 | SLEEVE 9 | 1 | PC. |
| 33 | | | 324669-9 | IMPACT BOLT | 1 | PC. |
| 34 | | | 324402-9 | RING 10 | 1 | PC. |
| 35 | | | 421955-0 | CUSHION RING 13 | 1 | PC. |
| 36 | | | 324216-6 | O RING CASE | 1 | PC. |
| 37 | | | 213073-6 | O RING 9 | 1 | PC. |
| 38 | | | 233917-4 | RING SPRING 28 | 1 | PC. |
| 39 | | | 324214-0 | STRIKER | 1 | PC. |
| 40 | | | 213227-5 | O RING 16 | 1 | PC. |
| 41 | | | 318132-2 | PISTON CYLINDER | 1 | PC. |
| 42 | | | 346036-8 | GUIDE PLATE | 1 | PC. |
| 43 | | | 324215-8 | PISTON JOINT | 1 | PC. |
| 44 | | | 234098-7 | COMPRESSION SPRING 14 | 1 | PC. |
| 45 | | | 211012-0 | BALL BEARING 606ZZ | 1 | PC. |
| 46 | | | 961003-8 | RETAINING RING S-7 | 1 | PC. |
| 47 | | | 233343-7 | COMPRESSION SPRING 7 | 1 | PC. |
| 48 | | | 227179-4 | SPUR GEAR 10 | 1 | PC. |
| 49 | 1 | | 325622-8 | CAM SHAFT | 1 | PC. |
| | 2 | | 325976-3 | CAM SHAFT | 1 | PC. |
| 50 | 2 | | 331992-5 | CLUTCH CAM (OLD# 331768-0 - N/L/A) | 1 | PC. |

| Item No | Type | Ref | Part No | Description | Qty | Unit |
|---------|------|------|----------|--|-----|------|
| 51 | | | 219014-0 | SWASH BEARING 10 | 1 | PC. |
| 52 | | | 325640-6 | SLEEVE 9 | 1 | PC. |
| 53 | | | 227549-7 | SPIRAL BEVEL GEAR 26 | 1 | PC. |
| 54 | | | 266273-7 | HEX. SOCKET HEAD BOLT M4X12 | 2 | PC. |
| 55 | | | 346038-4 | BEARING RETAINER B | 1 | PC. |
| 56 | | | 211032-4 | BALL BEARING 608ZZ | 1 | PC. |
| 57 | | | 324212-4 | RING 8 | 1 | PC. |
| 58 | | | 961011-9 | STOP RING E-4 | 1 | PC. |
| 59 | | | 941102-2 | FLAT WASHER 5 | 1 | PC. |
| 60 | | | 233342-9 | COMPRESSION SPRING 6 | 1 | PC. |
| 61 | | | 345220-2 | CHANGE PLATE | 1 | PC. |
| 62 | | | 922148-7 | HEX. SOCKET HEAD BOLT M4X25 | 2 | PC. |
| 63 | | | 158944-9 | INNER SUPPORT COMPLETE | 1 | PC. |
| 64 | | | 213728-3 | O-RING 68 | 1 | PC. |
| 65 | | | 318392-6 | INNER HOUSING | 1 | PC. |
| 66 | | | 443143-9 | FILTER | 1 | PC. |
| 67 | | | 424185-2 | CAP | 1 | PC. |
| 68 | | | 234097-9 | COMPRESSION SPRING 10 | 2 | PC. |
| 69 | | | 266273-7 | HEX. SOCKET HEAD BOLT M4X12 | 2 | PC. |
| 70 | | | 213231-4 | OIL SEAL 15 | 1 | PC. |
| 71 | | | 213437-4 | O RING 28 | 1 | PC. |
| 72 | | | 632828-4 | YOKE UNIT | 1 | PC. |
| 73 | | | 961082-6 | RETAINING RING WR12 | 1 | PC. |
| 74 | | | 331596-3 | SLEEVE 12 | 1 | PC. |
| 75 | | | 211131-2 | BALL BEARING 6001DDW | 1 | PC. |
| 76 | | | 961016-9 | STOP RING E-10 | 1 | PC. |
| 77 | | | 346037-6 | BEARING RETAINER A | 1 | PC. |
| 78 | | | 519235-7 | ARMATURE ASSEMBLY 36V | 1 | PC. |
| | | INC. | | Item No. 73-76, 79, 80 | 1 | PC. |
| 79 | | | 240037-7 | FAN 44 | 1 | PC. |
| 80 | | | 210022-4 | BALL BEARING 626DDW | 1 | PC. |
| 81 | | | 631850-8 | LIGHT CIRCUIT | 1 | PC. |
| 82 | 1 | | 638660-4 | BRUSH HOLDER | 1 | PC. |
| | 2 | | 539214-9 | BRUSH HOLDER ASSY | 1 | PC. |
| 83 | | | 643829-7 | BRUSH HOLDER CAP | 2 | PC. |
| 84 | 1 | | 194928-3 | CARBON BRUSH CB-442 2PC/SET (W/O ORIGIN) | 1 | PC. |
| | 2 | | 195023-2 | CARBON BRUSH CB-442 2PC/SET (W/ ORIGIN) | 1 | PC. |
| 85 | | | 266326-2 | TAPPING SCREW 4X18 | 2 | PC. |
| 86 | 1 | | 638661-2 | BRUSH HOLDER | 1 | PC. |
| | 2 | | 539215-7 | BRUSH HOLDER ASSY | 1 | PC. |
| 87 | | | 638657-3 | TERMINAL UNIT | 1 | PC. |
| 88 | | | 346039-2 | SUPPORT PLATE | 1 | PC. |
| 89 | 1 | | 188665-9 | HOUSING SET | 1 | SET |
| | | INC. | 263005-3 | RUBBER PIN 6 | 4 | PC. |
| | | INC. | 263025-7 | RUBBER PIN 4 | 4 | PC. |
| | 2 | | 187231-9 | HOUSING SET | 1 | SET |
| | | INC. | 263005-3 | RUBBER PIN 6 | 4 | PC. |
| | | INC. | 263025-7 | RUBBER PIN 4 | 4 | PC. |
| 90 | | | 188639-0 | HANDLE SET | 1 | SET |
| 91 | | | 450981-2 | SWITCH LEVER | 1 | PC. |
| 92 | | | 650619-1 | SWITCH | 1 | PC. |

| Item No | Type | Ref | Part No | Description | Qty | Unit |
|--------------------|------|------|----------|---|-----|------|
| 93 | | | 450979-9 | F/R CHANGE LEVER | 1 | PC. |
| 94 | | | 256261-2 | PIN 6 | 2 | PC. |
| 96 | | | 266326-2 | TAPPING SCREW 4X18 | 4 | PC. |
| 98 | | | 344903-1 | VIBRATION ISOLATOR PLATE | 1 | PC. |
| 101 | | | 266326-2 | TAPPING SCREW 4X18 | 9 | PC. |
| 200 | | | 654281-4 | RECEPTACLE | 2 | PC. |
| ACCESSORIES | | | | - See Catalogue or visit www.makita.ca for other optional accessories - | | |
| A01 | 1 | | 194659-4 | GREASE VESSEL SET (TUBE TYPE) - N/L/A | 1 | PC. |
| | 2 | | 194683-7 | GREASE VESSEL SET, 100CC, PUMP TYPE, FOR BIT | 1 | PC. |
| A02 | | | 324219-0 | DEPTH GAUGE | 1 | PC. |
| A03 | | | 443122-7 | CLOTH | 1 | PC. |
| A04 | | | 824874-3 | PLASTIC CARRYING CASE | 1 | PC. |
| | | INC. | 162271-8 | LATCH | 2 | PC. |
| | | INC. | 325636-7 | SHAFT | 1 | PC. |
| | | INC. | 450990-1 | HANDLE | 1 | PC. |
| A06 | | | DC36RA | DC36RA FAST CHARGER (see Parts breakdown DC36RA) | 1 | PC. |
| A07 | | | 194874-0 | 36V LI-ION BATTERY BL3626(2.6AH) | 1 | PC. |
| A08 | | | 451153-2 | BATTERY COVER | 1 | PC. |
| A09 | 1 | | 122573-4 | CHUCK ADAPTER ASS'Y F/SLIDE CHUCK | 1 | PC. |
| | 2 | | D-14093 | CHUCK ADAPTER ASS'Y | 1 | PC. |
| A10 | | | 122574-2 | 1/2" DRILL CHUCK ASS'Y(W/SDS-PLUS CHUCK ADAPTOR) | 1 | PC. |
| | 2 | INC. | 192877-8 | 1/2" DRILL CHUCK, PKGD (OLD# 763047-2 (BULK)) | 1 | PC. |
| | | INC. | 751106-4 | CHUCK ADAPTOR | 1 | PC. |
| | | INC. | 251425-3 | - FLAT HEAD SCREW M6X22 | 1 | PC. |
| A11 | | | P-80015 | DUST EXTRACTOR ATTACHMENT | 1 | PC. |
| A12 | | | 763432-9 | CHUCK KEY S13 | 1 | PC. |
| A13 | | | 765009-6 | BLOW-OUT BULB 64 | 1 | PC. |
| A14 | | | 192892-2 | KEYLESS DRILL CHUCK | 1 | PC. |
| A15 | | | 194580-7 | DUSTCUP SET | 1 | PC. |
| A16 | 2 | | 123100-0 | TOOL HOLDER ASS'Y | 1 | PC. |
| | | INC. | | Item No. 25-28, 30, 32-38 | 1 | PC. |
| A17 | | | 194960-7 | BATTERY ADAPTOR BAP36 | 1 | PC. |
| A18 | | | A-30106 | SCRAPER ASSY (SDS PLUS) | 1 | PC. |
| A19 | | | 343411-9 | CUTTER | 1 | PC. |
| A20 | | | 122823-7 | 1/2" KEYLESS DRILL CHUCK ATTACHMENT | 1 | PC. |
| | | INC. | 192892-2 | KEYLESS DRILL CHUCK (Item No. A14) | 1 | PC. |
| | | INC. | 251425-3 | -FLAT HEAD SCREW M6X22 | 1 | PC. |
| | | INC. | 751106-4 | CHUCK ADAPTER SDS-PLUS | 1 | PC. |
| A21 | | | 195512-7 | BATTERY CONVERTER SET BCV01 | 1 | SET |
| A22 | | | 195189-8 | HAMMER SERVICE KIT | 1 | PC. |
| | | INC. | 195023-2 | CARBON BRUSH CB-442 2PC/SET (W/ ORIGIN) | 1 | PC. |
| | | INC. | 213073-6 | O RING 9 | 1 | PC. |
| | | INC. | 213227-5 | O RING 16 | 1 | PC. |
| | | INC. | 216022-2 | STEEL BALL 7.0 | 1 | PC. |
| | | INC. | 233917-4 | RING SPRING 28 | 1 | PC. |
| | | INC. | 286263-4 | CAP 35 | 1 | PC. |
| | | INC. | 421955-0 | CUSHION RING 13 | 1 | PC. |